

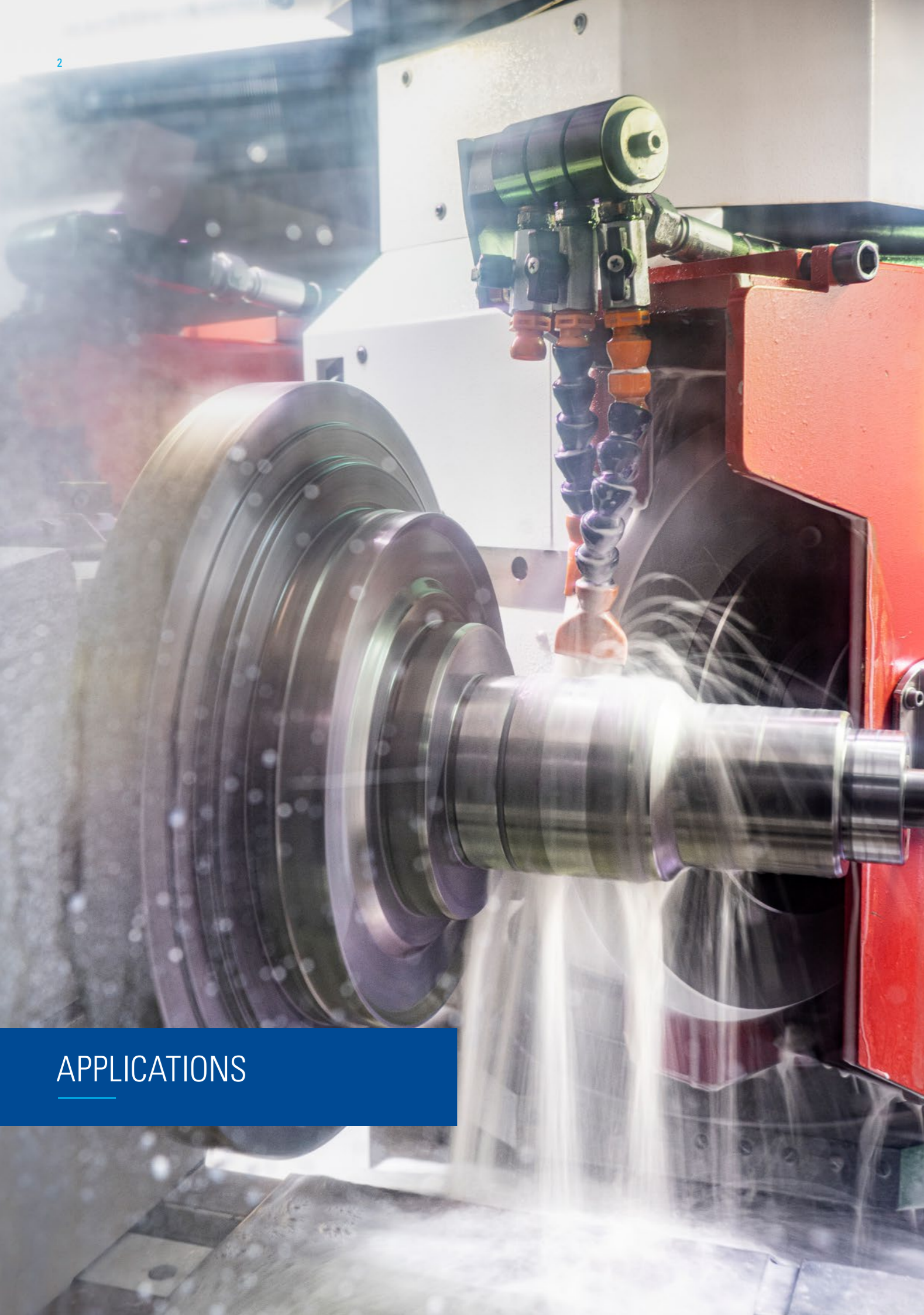
# S41

UNIVERSAL CYLINDRICAL GRINDING MACHINE



C.O.R.E.®





## APPLICATIONS

## STUDER S41 IN USE

In the automotive and aircraft industry, machine manufacturing, die and mold, in medical technology or the energy sector, STUDER is at home wherever outstanding quality is required in cylindrical grinding. From the solid rotor shaft of a wind power plant to high-precision axes and spindles in the machine tool industry, bearing rings with the highest profile accuracy and vehicle components in series production, the S41 will rise to any challenge.



## S41

### DIMENSIONS

- Distance between centres 1000/1600 mm
- Centre height 225/275 mm
- Maximum workpiece weight 250 kg

### HARDWARE

- StuderGuide® guide system with linear drive
- Turret wheelhead with direct drive and 0.00005 deg resolution
- Complete machining with up to four grinding wheels
- C axis for the workhead enabling form and thread grinding
- C.O.R.E. Panel
- Manual control unit (PCU) for set-up close to the grinding process
- Full enclosure with two sliding doors
- Granitan® S103 mineral-casting machine base

### SOFTWARE

- C.O.R.E. OS Operating system
- Very simple operation and programming thanks to StuderWIN
- StuderTechnology with integrated expertise
- StuderGRIND programming software for the creation of grinding and dressing programs directly on the machine control, or on an external PC
- Reduced setup and resetting times with STUDER QuickSet
- Standardized interfaces for loader and peripheral devices
- External programming station with all machine software options in StuderWIN-programming

«S41, the Allrounder for complex grinding jobs.»



## YOUR BENEFIT

- Short processing time thanks to complete machining
- Highest precision thanks to perfect interaction of hardware and software
- Intuitive, user-oriented and efficient operation
- Access to important information directly at the panel (e.g. production progress, job details, etc.)
- Reduced programming effort during data exchange between C.O.R.E. machines
- Use of UNITED GRINDING Digital Solutions™ products directly on the machine
- Fast support thanks to direct interaction with our Customer Care team on the machine
- Ecological thanks to targeted measures for lower energy consumption
- Ergonomic thanks to large sliding doors and three service doors

# C.O.R.E. – CUSTOMER ORIENTED REVOLUTION

## C.O.R.E. helps us make your production fit for the digital future.

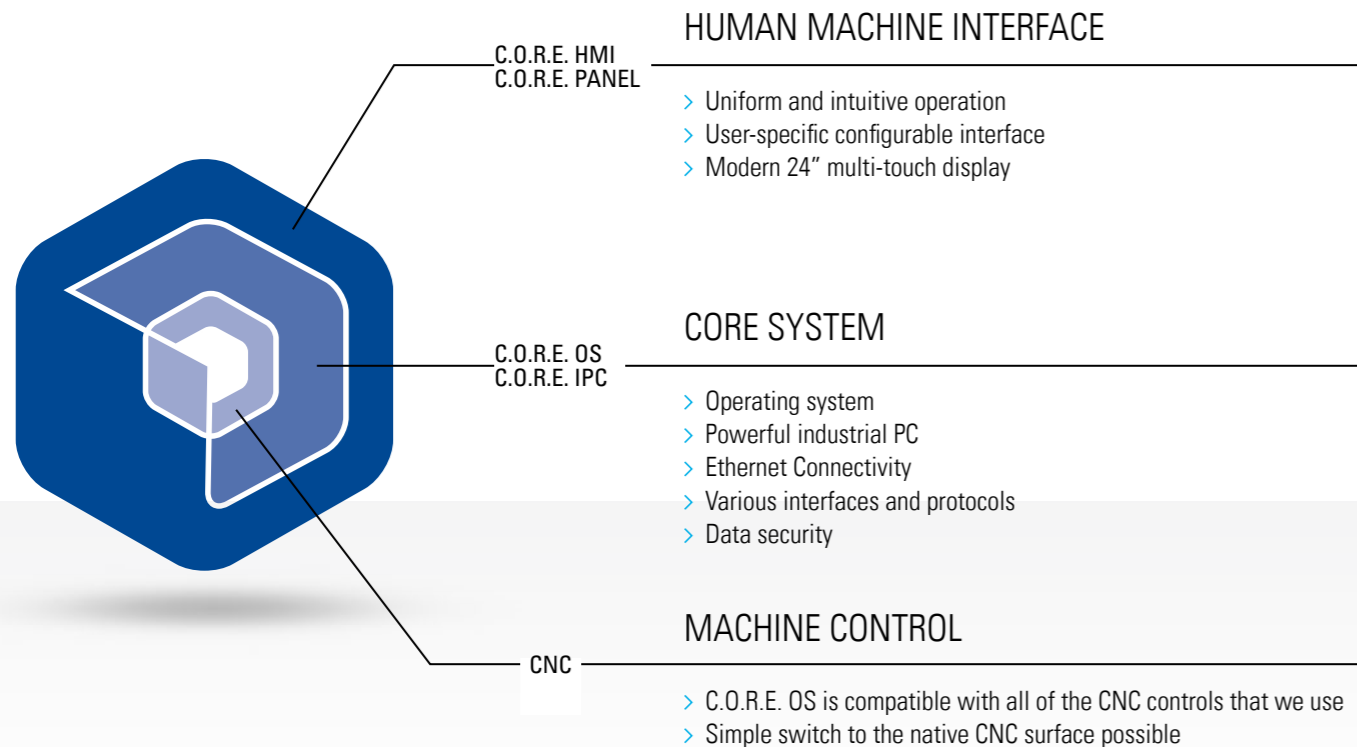
Its based on a new operating system, C.O.R.E. OS that equips the machine with intelligence.

Thanks to the uniform C.O.R.E. software architecture, exchanging data between UNITED GRINDING machines is easy. The integrated umati API can be used to communicate with third-party systems as well. It also offers access to UNITED GRINDING Digital Solutions™ products directly on the machine. C.O.R.E. not only establishes the technical foundation for this and other IoT and data applications, it also forms the basis of revolutionary yet uniform operation.

What does this mean for you?

- The user-friendly, intuitive, and uniform operation makes work easier for machine setters, machine operators, and maintenance staff
- Standardized data collection and intelligent processing of data creates transparency and supports process optimization
- The uncomplicated and consistent use of modern digital software solutions is guaranteed – directly on the machine
- The technical platform for the use of modern IoT and data applications has been established

# C.O.R.E. ELEMENTE



# C.O.R.E. PANEL – THE FUTURE OF OPERATION

## Intuitive

Thanks to intuitive design with self-explanatory icons, navigation through the machine menu and process steps is quick and easy. Instead of buttons, the user is presented with a modern and clearly arranged multi-touch display.

## User-friendly

Each user configures their own user interface individually. This is called up automatically with the RFID chip after logging in. When the user leaves the machine, the panel switches to «Dark Factory Mode.» Production progress and the machine state are also clearly visible from a

distance. And thanks to the ergonomic design, the panel can be tilted and individually adjusted easily.

## Efficient

The uniform and intuitive operating philosophy reduces training time. The configurable and role-specific interface helps prevent errors and increases the efficiency and quality of programming. Information can be exchanged quickly and in real-time via the front camera and Bluetooth headset. UNITED GRINDING Digital Solutions™ products can be used directly on the panel.

INDUSTRIAL MULTI-TOUCH DISPLAY

INTEGRATED FRONT CAMERA

SELF-EXPLANATORY ICONS

USER-CONFIGURABLE DISPLAY

STANDARDIZED FUNCTION KEYS

ERGONOMIC OVERRIDE SWITCH



## Technical Specifications

- 24" Full HD multi-touch display
- 16-position rotary override switch
- Electronic key switch (RFID)
- Integrated front camera
- Bluetooth V4.0 for headset connection
- 2x USB 3.0 ports
- Adjustable tilt

## USER INTERFACE

### StuderWIN

The user interface StuderWIN creates a stable programming environment and contributes to efficient use of the machine. The possibility of fully integrating the in-process gauging and sensor technology for process control as well as contact detection and automatic balancing systems in the operator interface enables standardized programming of the different systems.

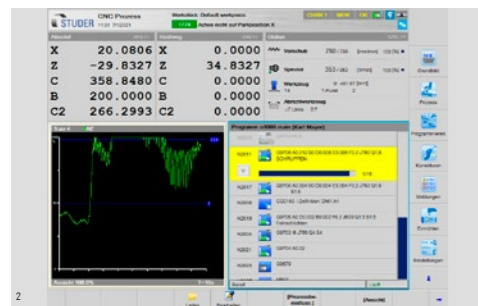
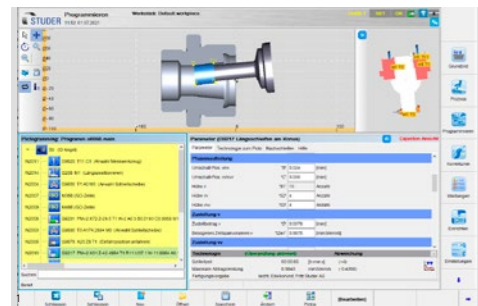
The software of an optional loading system is also integrated. The drive elements are optimally matched to the control system. The sophisticated mechanical engineering concept of the S41 is completed by a grinding software program developed in-house by STUDER and which is continuously optimized in collaboration with users of the software. This software offers:

- StuderPictogramming: The operator strings the individual grinding cycles together – the control generates the ISO code.
- STUDER QuickSet: The software for grinding wheel alignment reduces resetting times by up to 90%.
- Microfunctions: Free programming of grinding and dressing process sequences for optimization of the grinding process.
- Integrated operating instructions assist safe machine operation.

- The software options for the grinding technology calculations, optimized dressing as well as the Contour-, Thread- and Formgrinding cycles increase the functionality of the machine.

#### More than 100 years of know-how

StuderTechnology integrated radically simplifies the operation of cylindrical grinding machines. Component quality, machining time, energy efficiency, in short: All key production factors benefit enormously. What makes this software so unique? Its history! It incorporates more than 100 years of grinding experience. It is a combination of formulas from grinding technology, empirical data and many years of expertise. The program contains data from countless grinding tests, in which the best machining strategy has been determined for a wide variety of components. StuderTechnology integrated specifically refers to these values depending on the application. This integrated grinding know-how can be further optimized as required by the individual grinding expert and stored as a customer-specific production specification. This also enables inexperienced grinders to benefit from specialist knowledge.



1 Programming interface with StuderPictogramming  
2 Process screen  
3 External programming station



#### Integrated Tools

Thanks to the many different extension packages, the functionality of STUDER grinding machines can be considerably enhanced. STUDER offers the necessary software packages in the form of Integrated Tools.

- **StuderDress Integrated** reduces the profiling time of a grinding wheel by up to 80%.
- **StuderThread Integrated** together with the Studer thread grinding cycles, offers the full functionality that is otherwise only possible on a special thread grinding machine.
- **StuderContourBasic Integrated** is for anyone who wants to trace any geometry contour with the grinding wheel easily, quickly and safely.
- **StuderContourPRO Integrated** generates the complete grinding program for complex external geometries, typically for peel grinding from solid.
- **StuderForm Integrated** is the universal noncircular grinding software for machining of curves and polygons for standard applications in small production runs.
- **StuderFormHSM Integrated** makes the noncircular grinding process manageable even with highly dynamic process requirements and is used in both individual component and large-scale production.
- **StuderCoordinate Integrated** as been developed for highly eccentric internal geometries such as coordinate holes and, in combination with the cylindrical and form grinding cycles, enables the complete machining of complex components in a single clamping.

#### LaserControl™

Contactless measurement directly on the machine when machining precision workpieces. Not only various large «non-interrupted» workpiece diameters can be precisely measured contact-free with the laser measuring, but also «interrupted» diameters such as shafts with splines or grooves, cutting edges of tools, tool flutes as well as the external diameters of gears. The STUDER-Software records the measured values after each measuring cycle.

#### TouchControl™

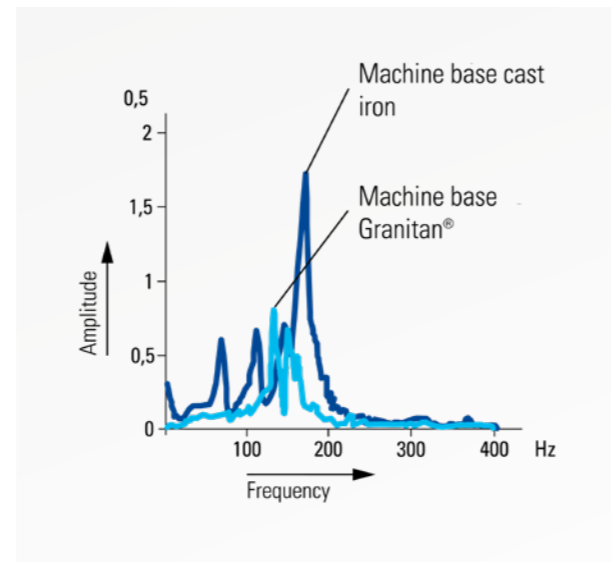
Workpieces are inspected directly on the machine, the results are recorded and corrections are transferred to the control system.

- Flexible diameter and length control measurement using a touch probe
- Seat- and tool-specific calculation of dimensional deviations
- Logging of post-process control data
- Programmable cycle for automatic calibration of the touch probe to reference diameter or length



## GRANITAN® S103 MINERAL CASTING MACHINE BED

The material structure developed by STUDER which has proved its superb efficiency over many years is produced in the company's own plant using the most modern industrial techniques. The excellent dampening behavior of the machine base ensures outstanding surface quality of the ground workpieces. The service life of the grinding wheel is also increased, leading to reduced downtimes. Temporary temperature fluctuations are extensively compensated by the favorable thermal behavior of Granitan®. This provides high stability throughout the day. The StuderGuide® guide system for the longitudinal and cross slides is moulded directly into the machine base and finished with a wear-resistant Granitan® S200 surfacing material. The guideways offer the highest possible accuracy through the entire speed range with high load capacity and dampening levels. Thanks to the robust and maintenance-free design, these excellent guideway characteristics are more or less completely retained.

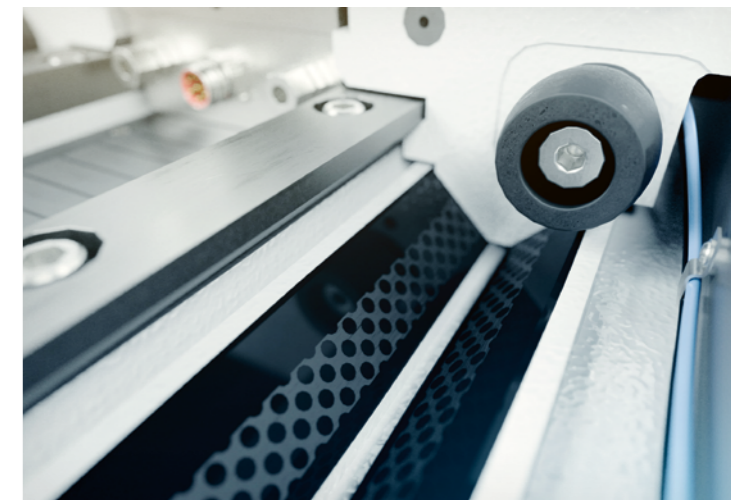


- Vibration-dampening
- Thermally stable
- Non-wearing

## STUDERGUIDE® IN LONGITUDINAL AND CROSS SLIDES

The longitudinal and cross slides are manufactured from high-quality gray cast iron and have highly precise, ground guideways. The slides rest completely on the guideways of the machine bed through the entire traversing range. This provides the cornerstone for the excellent straightness of 0.003 mm over 950 mm measured length. The top of the longitudinal slide has a surface that is ground over its entire length and acts as a support for the workhead, the tailstock, as well as accessories and devices. A setup scale, recessed in the table, makes it easy to set up and reset the units on the table.

An additional T-slot with a ground surface enables the optimal utilization of dressing devices. The newly developed StuderGuide® guide system extends the advantages of hydrostatic systems and guideways with patented surface structure. A huge advantage of StuderGuide® over hydrostatic guideways is the damping component in the movement direction. The slides are powered by linear motors with direct measuring systems with a high resolution. The maximum travel speed for both axes is 20 m/min. This lays the basis for highprecision and efficient grinding with the shortest possible auxiliary times. The combination of StuderGuide®, linear motors and direct measuring systems guarantees the highest interpolation accuracies.



- High geometrical traverse precision
- Setup scale for setup and resetting
- Effective covering of guideways



## TURRET WHEELHEAD

The most important component for complete machining is the wheelhead with integrated B-axis. It swivels automatically, and enables the use of up to four grinding wheels. This means that workpieces can be completely machined in the same clamping – with minimal auxiliary times combined with superior precision. This B axis has a direct drive, which positions very quickly and precisely. The high-resolution direct measuring system guarantees a repetition accuracy of the high-precision B-axis <math>< 1''</math>.

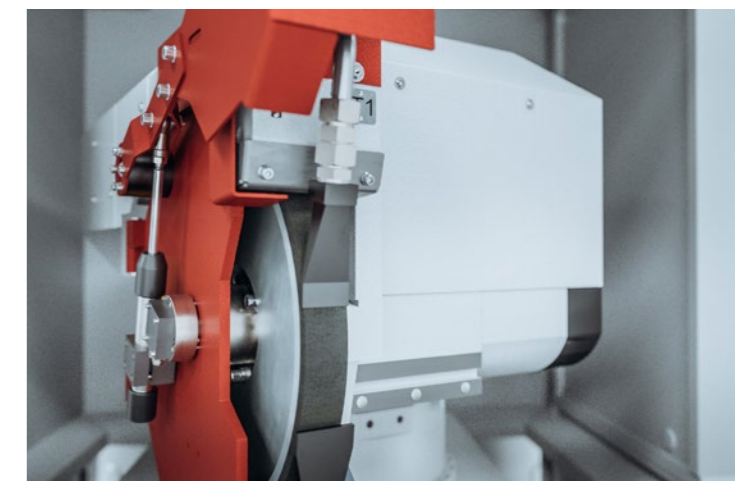
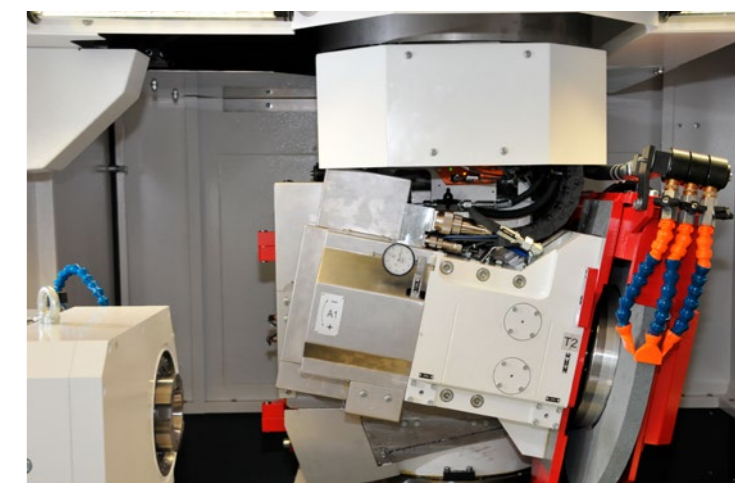
### Automatic A-axis

STUDER offers an automatically swiveling A-axis on the S41 for efficient, high-precision thread grinding. The swivel angle is  $\pm 15$  deg. Even greater pitch angles can be achieved with the aid of StuderThread, thanks to profile error compensation. There is one model for standard and one for HSG for external grinding and one model for internal grinding. Max. two A-axes are possible.

### HSG (High Speed Grinding)

High Speed Grinding delivers maximum productivity combined with high quality when machining hard-to-machine materials such as hard metal, ceramic and high-alloy steels. Ultra-hard abrasives such as CBN and diamond with cutting speeds of up to 140 m/s are used here.

- Configurable in accordance with customer's requirements
- Complete machining
- Grinding of cylindrical and conical parts with the same grinding wheel



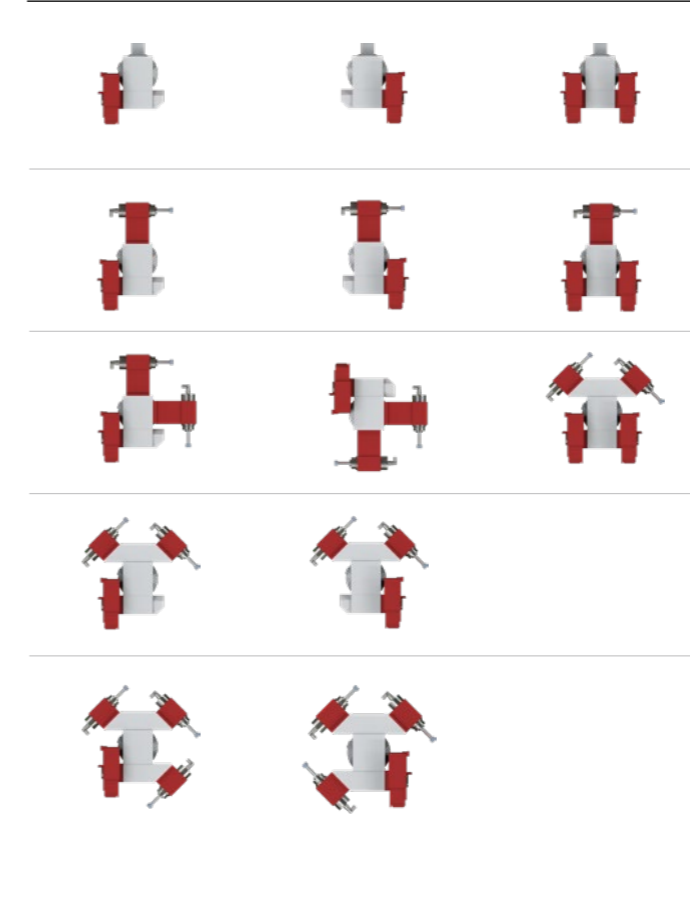
# WHEELHEAD VARIANTS

Combinations of up to four external or internal grinding spindles result in more than 30 basic variants. Internal grinding spindles with 6 000 rpm to 120 000 rpm can be used. Automatic balancing systems and frequency converters for the individual external grinding spindles enable

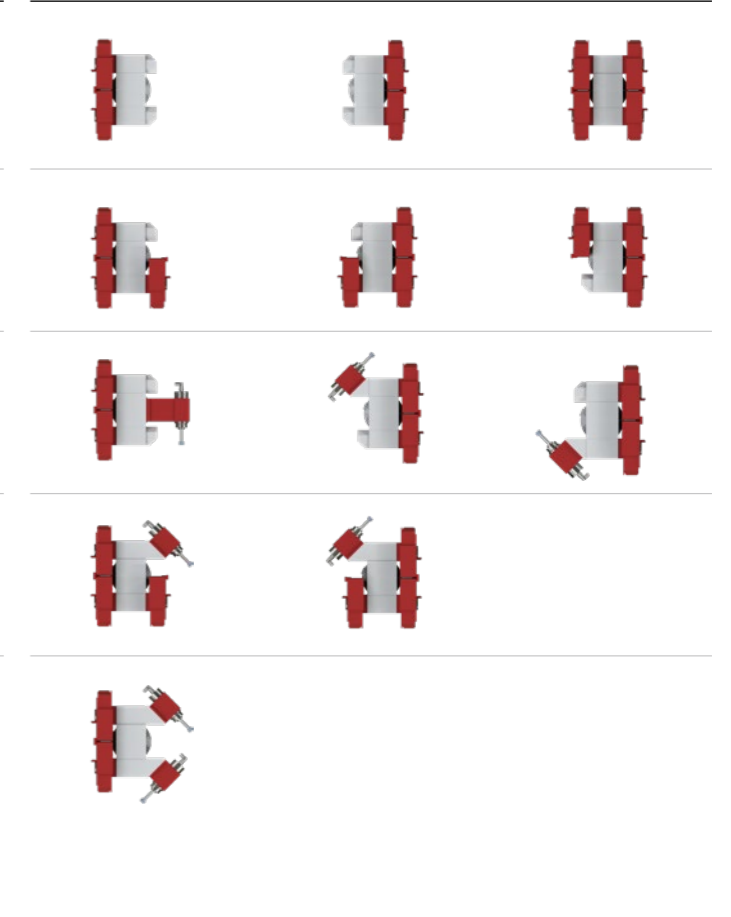
even better coordination of the wheelhead variants with the grinding process. A vertical spindle for grinding splines can also be mounted on the wheelhead as a special solution.



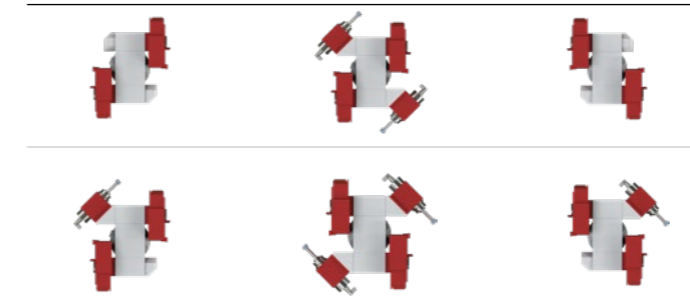
## UNIVERSAL



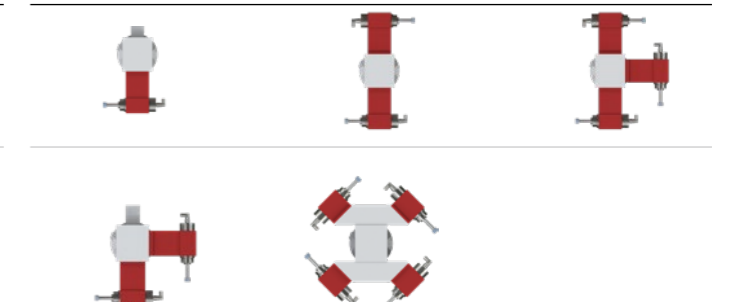
## TANDEM



## DIAGONAL



## INTERNAL GRINDING





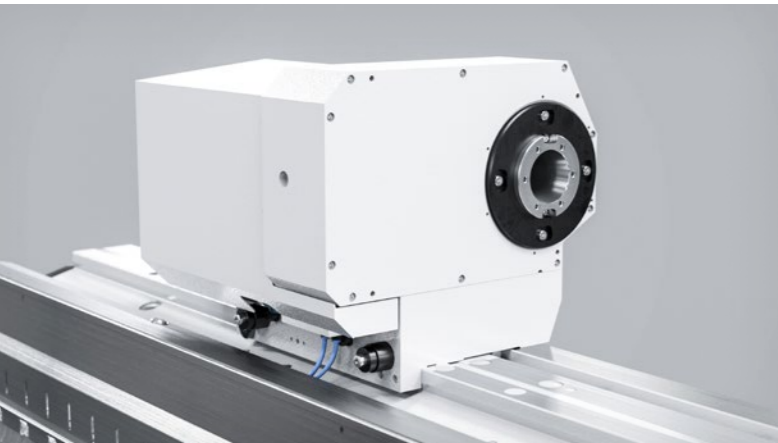
## WORKHEAD

A wide range of workheads covers all requirements. These are all sturdily built in the highest STUDER quality and achieve a roundness accuracy during live grinding of 0.0004 mm and optionally even 0.0002 mm. Easy cylindricity correction helps to achieve perfect results during live grinding. Customer-specific workpiece clamping and driving systems can be easily used.

- High roundness accuracy
- Low-maintenance
- Air cushion

### Universal workhead

For external grinding with a fixed center or for live grinding. The spindle is locked for grinding between fixed centers. C-axis applications are possible with an indirect measuring system.



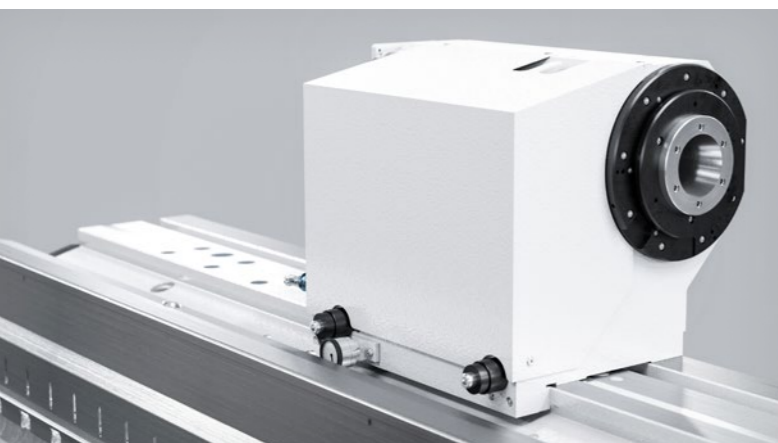
### Chuck workhead

For live grinding or external grinding with revolving center. Thanks to the design, with drive via a belt at the back, high loads are possible during live grinding. For high-precision C-axis applications a measurement system can be mounted directly on the spindle.



### Direct-drive chuck workhead

For live spindle grinding or external grinding with revolving center. The high driving power particularly proves its worth during form grinding. For high-precision C-axis applications a measurement system can be mounted directly on the spindle.



## C-AXIS FOR FORM AND THREAD GRINDING

Complete machining also entails form and thread grinding operations to an ever increasing extent. These processes are made possible by the position and speed-controlled C-axis. The standard C-axis with measuring system on the drive motor is suitable for thread grinding. A direct measuring system is mounted on the workhead spindle (C-axis) to ensure the highest form accuracy). Acceleration and grinding forces are absorbed without difficulty through the high dynamic rigidity of the axis drives.

### Form and thread grinding

The S41 enables axis-parallel grinding of conventional threads up to threads for high accuracy application. Polygons, excenters, control cams, cams etc. can be manufactured costeffectively and in the highest precision with High Speed Machining (HSM).



## TAILSTOCK

The generously dimensioned barrel, designed for the deployment of Morse 4 taper centres, glides in the tailstock housing. The centre pressure can be adjusted with the delicate precision required for grinding high-precision workpieces. The tailstock can be equipped with a hydraulically actuated barrel retraction for workpiece changeover. The fine adjustment enables cylindricity corrections in the range below 1 µm

when grinding between centres. An air cushion lift-off facilitates simple movement during setup and resetting. A cooling lubricant is passed through the tailstock and totally covers the barrel and diamond holder, in order to guarantee optimum thermal stability.

### Tailstock

Clamping is by means of a spring. This tailstock is suitable for workpiece weights up to 150 kg.

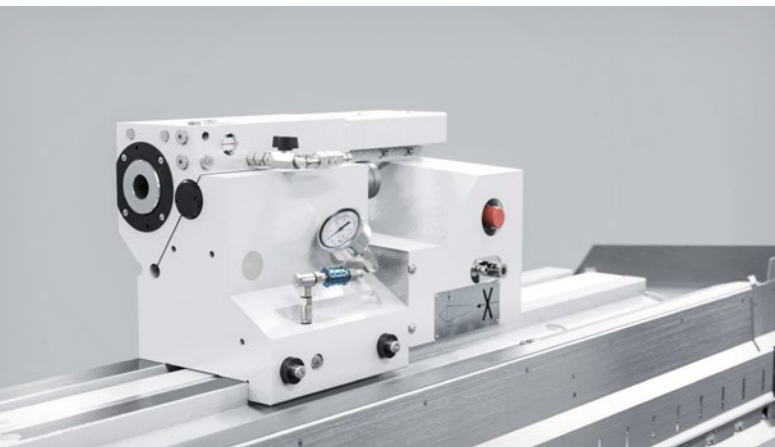
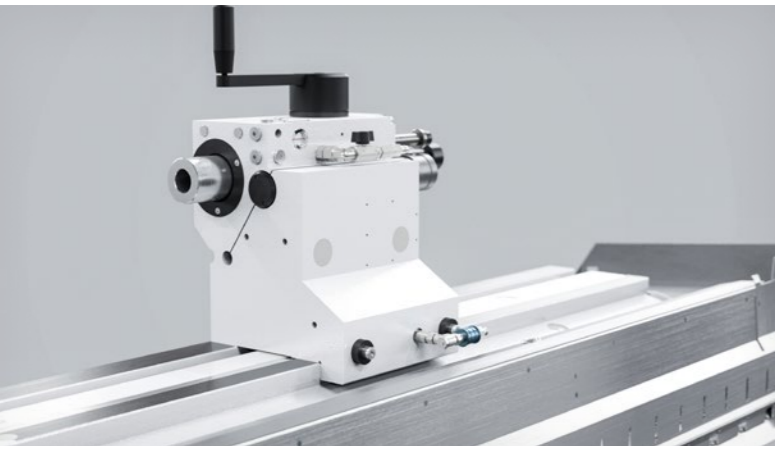
### Tailstock with hydraulic workpiece clamping

The centre pressure can be increased with the hydraulically operated tailstock, enabling a workpiece weight between centres of 250 kg.

### Synchronous tailstock

Use of the synchronous tailstock is particularly cost-effective when manufacturing part families, when grinding a workpiece over its entire length or if the use of a conventional driver is not possible.

- Cylindricity corrections
- Thermal stabilization



## DRESSING

An easy-cutting grinding wheel is essential for cost-effective and high-quality grinding. STUDER offers a large selection of dressing units, in order to coordinate the dressing process flexibly and optimally with the properties specific to the workpiece, tool or materials. The grinding wheel profile and dressing parameters are easily defined via macros. Another STUDER speciality is the grinding wheel reference points

(T-numbers). This enables programming with normal dimensions, which considerably simplifies the programming of grinding programs.

A software package is available to fine tune the dressing process and includes additional dressing functions.



### Rotational dressing

Rotating dressing tools are particularly suitable for dressing CBN and diamond grinding wheels.



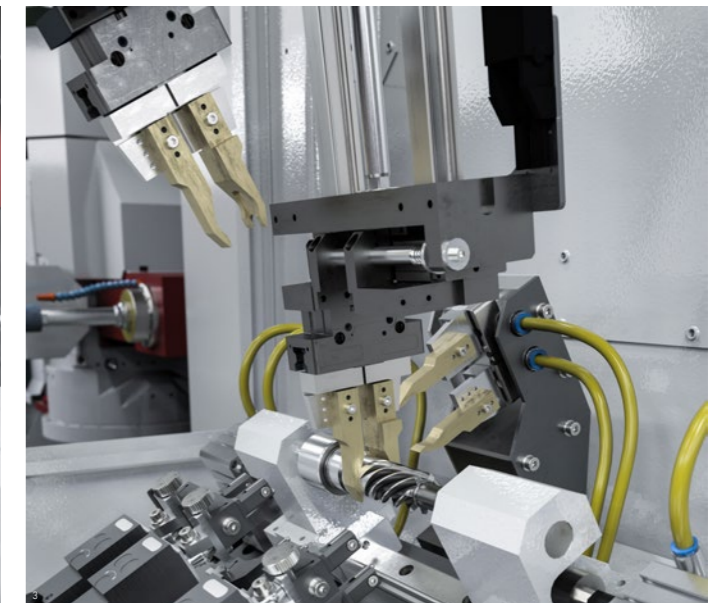
### WireDress®

Metal-bonded grinding wheels can be easily dressed with the highest precision in the grinding machine. Based on the fundamental principle of wire electrical discharge machining, WireDress achieves a high proportion of grain space and maximum dimensional stability, even with complex geometries.



## AUTOMATION

Several loading systems are available for the S41. From the cost-effective easyLoad, which is operated via the machine control, to the easyLoad NC with its own control unit, through to special solutions which can be precisely adapted to the machine application and machining processes, thanks to their modular design. A Datamatrix code reader or a laser marking system ensures that each workpiece receives its own identity, and process data can be traced at any time. The appropriate peripherals ensure seamless integration into the respective production process. Project-specific components such as e.g. pre- and post-process stations, brushing and blow-off stations, calibration part trays etc. can be implemented in the system. The handling systems communicate with the machine via the standardized loader interface and enable even complex handling tasks to be solved. Comprehensive quality control is possible during the grinding process. This entails: in-process, post-process, recording, evaluation and correction. This type of quality assurance is crucial during grinding, but especially during match grinding.



- 1 STUDER easyLoad
- 2 V-Gripper
- 3 Post-process measuring station



## CUSTOMER CARE

## WE ARE HERE FOR YOU!

Our products are designed to meet customer demands for as long as possible, they are intended to operate efficiently, reliably, and be available at any time.

From «Start up» through to «Retrofit» – our Customer Care is there for you throughout the working life of your machine. That is why over 200 competent service contacts worldwide in 10 spoken languages are available locally.

- We will provide you with fast, straight-forward support.
- We will help to increase your productivity.
- We work professionally, reliably and transparently.
- We will provide a professional solution to your problems.

## UNITED GRINDING DIGITAL SOLUTIONS™

We develop solutions to support you in simplifying processes, boosting your machines' efficiency and increasing overall productivity under the «UNITED GRINDING Digital Solutions™» brand.

We are continuously expanding our solution portfolio in the key areas of CONNECTIVITY, USABILITY, MONITORING, and PRODUCTIVITY to make your work in the digital age significantly easier.

Find out more about UNITED GRINDING Digital Solutions™ services on our website in the Customer Care section.



**Start up**  
Commissioning  
Warranty extension



**Qualification**  
Training  
Production support



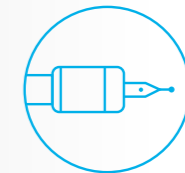
**Prevention**  
Maintenance  
Inspection



**Service**  
Customer service  
Customer consultation  
HelpLine



**Digital Solutions**  
Remote Service  
Service Monitor  
Production Monitor



**Material**  
Spare parts  
Replacement parts  
Accessories



**Rebuild**  
Machine overhaul  
Assembly overhaul



**Retrofit**  
Modifications  
Retrofits

## TECNICAL DATA

### MAIN DIMENSIONS

Distance between centres	1 000/1 600 mm (39.4" / 63")
Centre height	225/275 mm (8.9" / 10.8")
Max. workpiece weight between centres	250 kg (550 lbs)

### CROSS SLIDE: X-AXIS

Max. travel	350 mm (13.8")
Speed	
Resolution	0.00001 mm (0.000,000,4" )

### LONGITUDINAL SLIDE: Z-AXIS

Max. travel	1 150/1 750 mm (45.3" / 68.9")
Speed	
Resolution	0.00001 mm (0.000,000,4" )

### WHEELHEAD

Swiveling range	-45 to +225 deg
Repetition accuracy	<1"
Swiveling time for 180°	<3 s
Resolution	0.00005 deg

#### External grinding

Peripheral speed	50/80 m/s (9 840/15 745 sfpm)
Fitting taper	1 : 10/73 mm (2.87")
Driving power	max. 15 kW (20 hp)
for 50 m/s	dia. 500 x 80 (100F5) x 203 mm (20" x 3.15" (3.9" F5) x 8")
for 80 m/s	dia. 500 x 50 x 203 mm (20" x 1.9" x 8")

#### HSG grinding

Peripheral speed	140 m/s (27 550 sfpm)
Wheel mount	dia. 127 mm (5")
Driving power	max. 30 kW (41 hp)
Grinding wheel	dia. 400 x 40 mm (16" x 1.6")

#### Internal grinding

Spindle diameters	dia. 120/140 mm (4.72" / 5.51")
Speeds	6 000–120 000 rpm

#### Options

Length positioning active	
Manual or fully automatic balancing	
Contact detection	

### UNIVERSAL WORKHEAD ISO50

#### For live spindle grinding or external grinding between centres

Speed range	1 –1 000 rpm
Fitting taper /cylindrical external mounting	ISO50 / dia. 110 mm (4.33")
Bar capacity (spindle bore)	dia. 50 mm (1.96")
Driving power	4 kW (5.4 hp)
Load for live spindle grinding	180 Nm (134 ft lbs)
Max. workpiece weight between centres	150 kg (330 lbs)
Roundness during live spindle grinding operations	0.0004 mm (option: 0.0002 mm) (0.000,016" / 0.000,008")

C-axis indirect measuring system	0.0001 deg
----------------------------------	------------

### CHUCK WORKHEAD ISO50

#### For live spindle grinding or external grinding with revolving centre

Speed range	1 –1 000 rpm
Fitting taper /cylindrical external mounting	ISO50 / dia. 110 mm (4.33")
Bar capacity (spindle bore)	dia. 50 mm (1.96")
Driving power	4 kW (5.4 hp)
Load for live spindle grinding	250 Nm (186 ft lbs)
Max. workpiece weight between centres	200 kg (440 lbs)
Roundness during live spindle grinding operations	0.0004 mm (option: 0.0002 mm) (0.000,016" / 0.000,008")

C-axis indirect measuring system	0.0001 deg
----------------------------------	------------

#### Option

C-axis high-precision, direct measuring system	0.0001 deg
--	------------

### MOTOR WORKHEAD

#### For live spindle grinding or external grinding with revolving centre

Speed range	1 –1 500 rpm
Fitting taper /cylindrical external mounting	ISO50 / dia. 110 mm (4.33")
Bar capacity (spindle bore)	dia. 50 mm (1.96")
Driving power	10 kW (13.6 hp)
Load for live spindle grinding	500 Nm (372 ft lbs)
Max. workpiece weight between centres	250 kg (550 lbs)
Roundness during live spindle grinding operations	0.0004 mm (option: 0.0002 mm) (0.000,016" / 0.000,008")

C-axis– high-precision, direct measuring system	0.0001 deg
---	------------

### TAILSTOCK

Fitting taper	MT 4
Barrel stroke	60 mm (2.36")
Barrel diameter	60 mm (2.36")
Workpiece weight between centres	150 kg (330 lbs)
Fine adjustment for cylindricity corrections	±80 µm (0.0032")

### TAILSTOCK, HYDRAULIC

Fitting taper	MT 4
Barrel stroke	80 mm (3.15")
Barrel diameter	70 mm (2.75")
Workpiece weight between centres	250 kg (550 lbs)
Fine adjustment for cylindricity corrections	±80 µm (0.0032")

### SYNCHRONOUS TAILSTOCK

Fitting taper	MT 4
Stroke	120 mm (4.72")
Spindle nose	dia. 70 mm (2.76")
Workpiece weight between centres	80 kg (176 lbs)
Fine adjustment for cylindricity corrections	±80 µm (0.0032")

### CONTROL SYSTEM

Fanuc 31i-A with integrated PC

### GUARANTEED WORKING PRECISION

Straightness of the generating line	
Gauge length 950 mm (37.4")	<0.003 mm (0.000,12")
Gauge length 1 550 mm (61")	<0.004 mm (0.000,16")

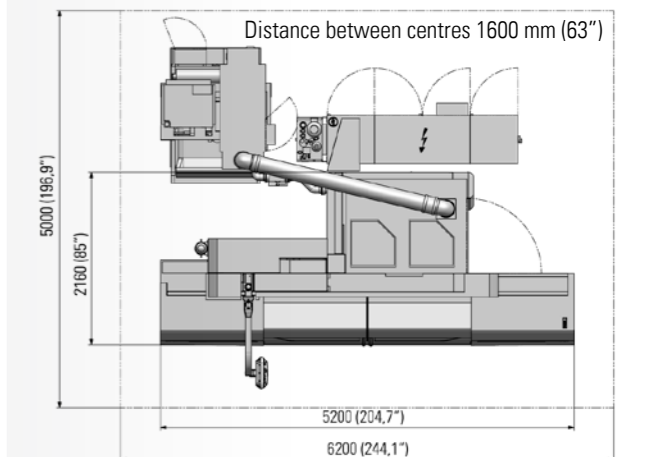
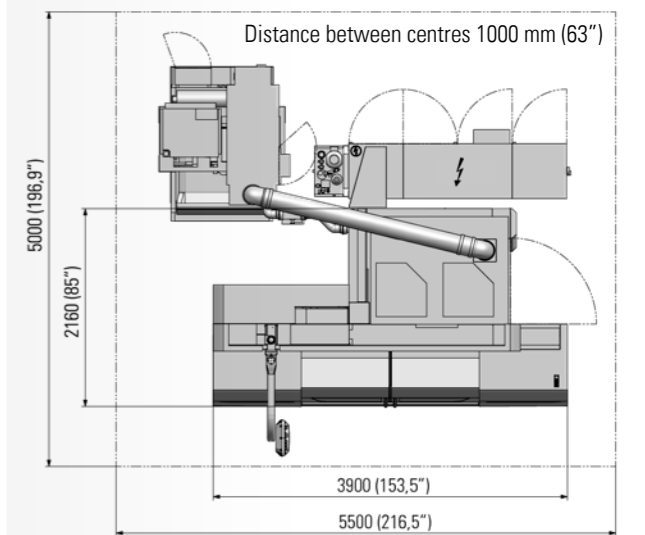
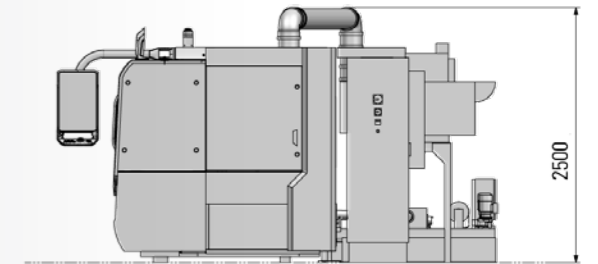
### CONNECTED LOADS

Total connected load	30 kVA (40 kVA for HSG)
Air pressure	5.5 bar (80 psi)
Extraction capacity for cooling lubricant mist	1 200–1 800 m <sup>3</sup> / h

### TOTAL WEIGHT

Distance between centres 1 000 mm (39.4")	9 000 kg (19 800 lbs)
Distance between centres 1 600 mm (63")	10 200 kg (22 440 lbs)

The information given is based on the technical levels of our machine at the time of this brochure going to print. We reserve the right to further develop our machines technically and make design modifications. This means that the dimensions, weights, colours, etc. of the machines supplied can differ. The diverse application possibilities of our machines depend on the technical equipment specifically requested by our customers. The equipment specifically agreed with the customer is therefore exclusively definitive for the equipping of the machines, and not any general data, information or illustrations.



## FRITZ STUDER AG

The name STUDER stands for more than 100 years of experience in the development and production of precision cylindrical grinding machines. «The Art of Grinding.» is our passion, highest precision is our aim and top Swiss quality is our benchmark.

Our product line includes both standard machines, as well as complex system solutions in high-precision cylindrical grinding for machining small and medium-sized workpieces. In addition we offer software, system integration and a wide range of services. As well as receiving a complete tailor-made solution the customer also benefits from our 100 years of know-how in relation to the grinding process.

Our customers include companies from the machine tool industry, auto-motive engineering, tool and die makers, the aerospace industry, pneu-matics/hydraulics, electronics/electrical engineering, medical technology, the watch industry and job order production. They value maximum precision, safety, productivity and longevity. As one of the market and technology leaders in universal, external, internal cylindrical and non-circular grinding, with 24,000 systems delivered, STUDER has stood for precision, quality and durability for decades. STUDER's products and services include hardware, software and a wide range of services in the pre- and after-sales sector.

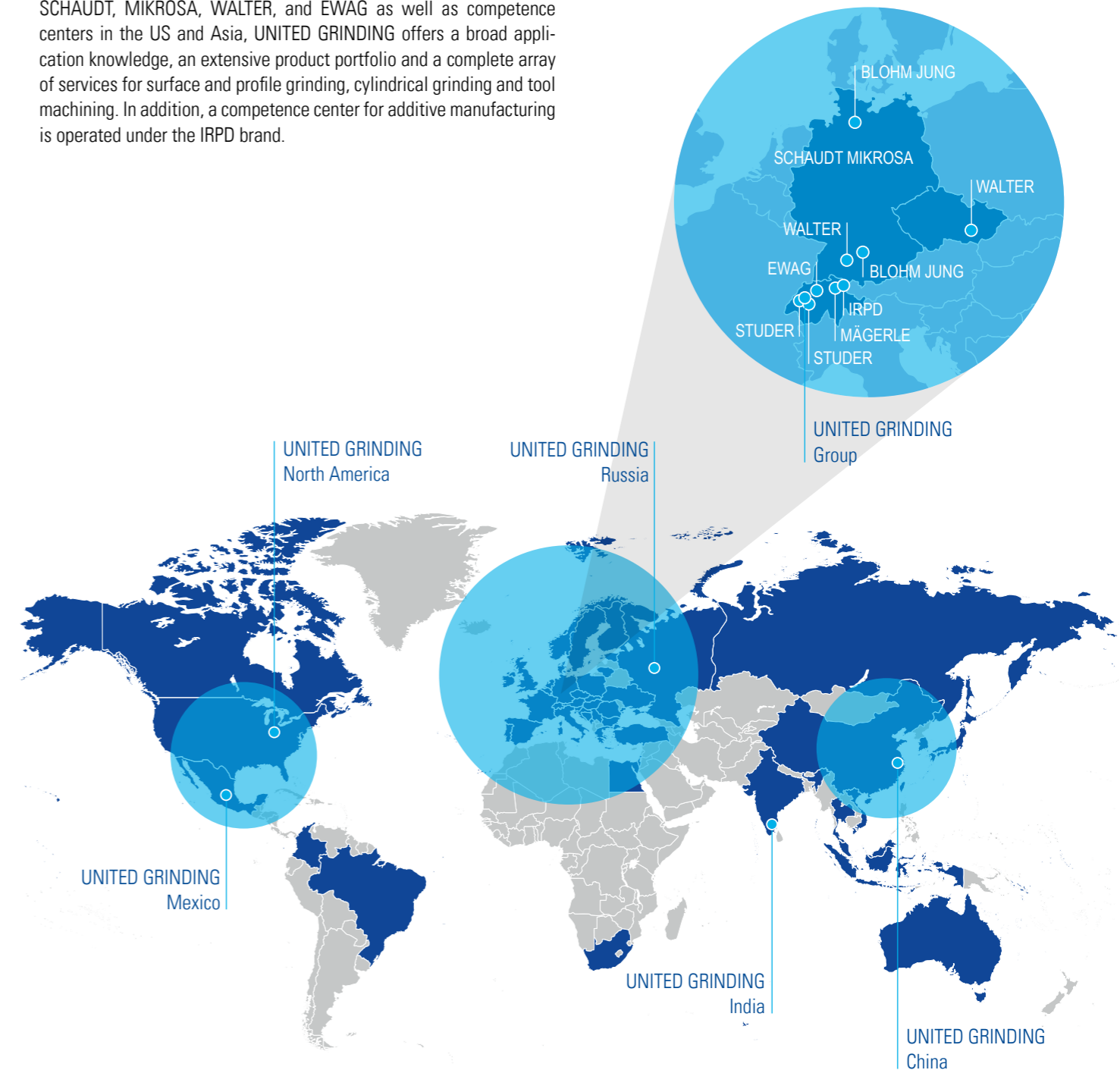


## UNITED GRINDING GROUP

The UNITED GRINDING Group is one of the world's leading manufacturers of precision machines for grinding, eroding, laser, measuring, and combination machining. With around 2500 employees at more than 20 manufacturing, service, and sales locations, the Group has a customer-oriented and effective organization.

With its company brands MÄGERLE, BLOHM, JUNG, STUDER, SCHAUDT, MIKROSA, WALTER, and EWAG as well as competence centers in the US and Asia, UNITED GRINDING offers a broad application knowledge, an extensive product portfolio and a complete array of services for surface and profile grinding, cylindrical grinding and tool machining. In addition, a competence center for additive manufacturing is operated under the IRPD brand.

«We want to make our customers even more successful.»





Fritz Studer AG  
3602 Thun  
Switzerland  
Phone +41 33 439 11 11  
info@studer.com  
studer.com



**ISO 9001**  
**VDA6.4**  
certified

